

Chrome Wire Shelving Shelf Capacities

Shelf Size (WxD)	UDL per shelf	Shelf Size (WxD)	UDL per shelf
610 x 305	300kg	915 x 460	270kg
762 x 305	300kg	1220 x 460	220kg
762 x 355	300kg	1525 x 460R	200kg
915 x 355	300kg	610 x 610	240kg
1220 x 355	240kg	762 x 610	240kg
1525 x 355	190kg	915 x 610	240kg
460 x 460	270kg	1220 x 610	190kg
762 x 460	270kg	1525 x 610R	180kg

* **Maximum Bay Loading Capacity for any bay on castors is 210kg !**

1. Attach plastic collars for the bottom shelf to all 4 uprights. Make sure the collars are at the same position on all uprights.
2. Insert the uprights through the holes of the shelf - one-by-one and secure the shelf in place with a rubber mallet.
3. Attach plastic collars at the desired height for the next shelf.
4. Put the next shelf on the uprights, slide to the plastic collars and secure with the mallet. Repeat steps 3-4 until you complete all levels.
5. Adjust the feet if necessary or the floor is uneven.
- *6. (optional) If your shelving came with castors, unscrew the feet from the bottom of each upright and screw in the castors instead. Secure with 8mm Allen Key (not provided)

Tools Required

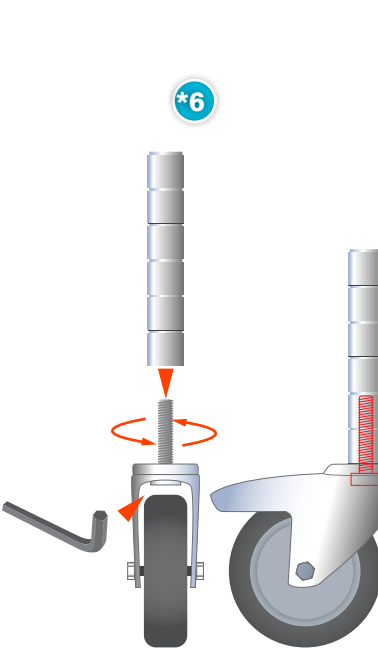
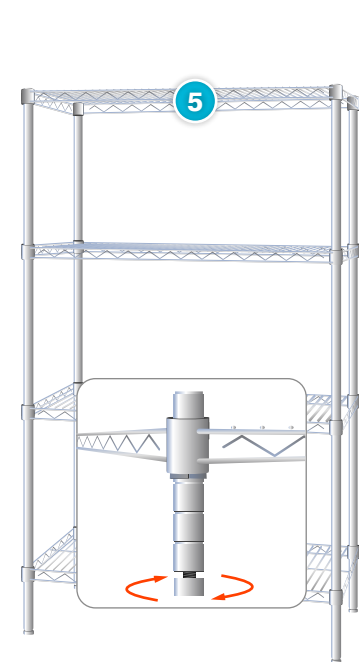
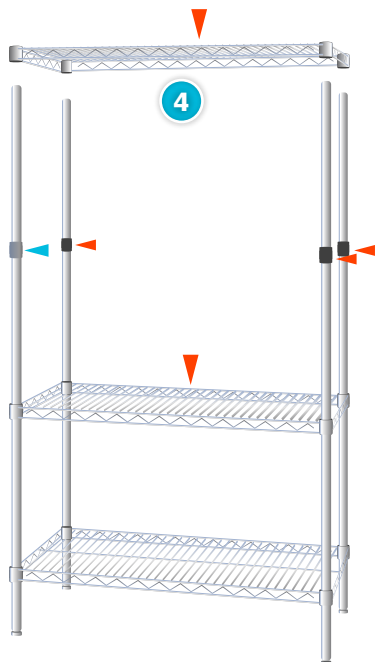
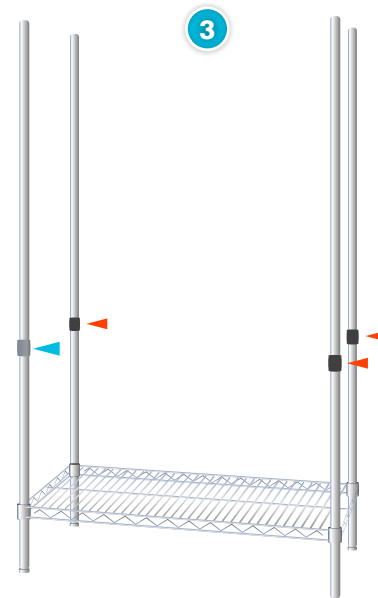
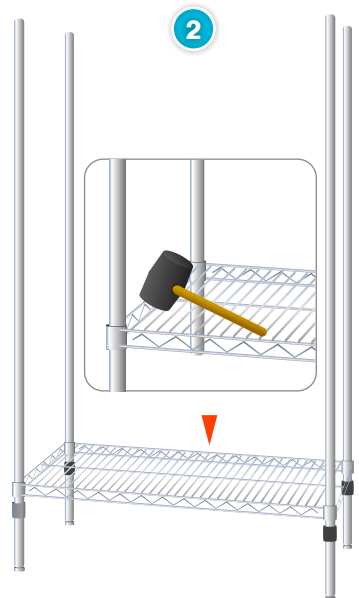
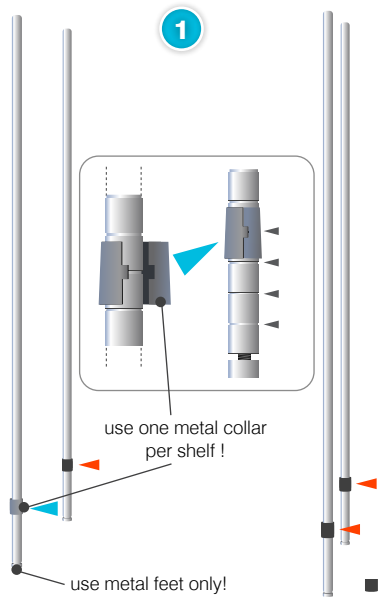
Rubber Mallet, *Allen Key (8mm)

Safety Precaution

Two competent people wearing safety gloves, safety shoes and protective eyewear are recommended to undertake the assembly.



scan for more info



ESD Chrome Wire Shelving Shelf Capacities

Shelf Size (WxD)	UDL per shelf	Shelf Size (WxD)	UDL per shelf
610 x 305	300kg	915 x 460	270kg
762 x 305	300kg	1220 x 460	220kg
762 x 355	300kg	1525 x 460R	200kg
915 x 355	300kg	610 x 610	240kg
1220 x 355	240kg	762 x 610	240kg
1525 x 355	190kg	915 x 610	240kg
460 x 460	270kg	1220 x 610	190kg
762 x 460	270kg	1525 x 610R	180kg

* Maximum Bay Loading Capacity for any bay on castors is 210kg !

1. Attach a metal collar for the bottom shelf to one of the uprights and plastic collars to the remaining uprights. Make sure the collars are at the same height on all uprights.
2. Insert the uprights through the holes of the shelf - one-by-one and secure the shelf in place with a rubber mallet.
3. Attach collars at the desired height for the next shelf. **You must use one metal collar for each level on one of the uprights to guarantee conductivity!**
4. Put the next shelf on the uprights, slide to the collars and secure with the mallet. Repeat steps 3-4 for each level.
5. Adjust the metal feet if necessary or if the floor is uneven.
- *6. (optional) If your shelving came with antistatic castors, unscrew the feet from the bottom of each upright and screw in the castors instead. Secure with 8mm Allen Key (not provided)



Tools Required

Rubber Mallet, *Allen Key (8mm)

Safety Precaution

Two competent people wearing safety gloves, safety shoes and protective eyewear are recommended to undertake the assembly.

Ensure metal feet and conductive silver metal collars are fitted!



scan for more info